

HOSHIZAKI

KD Series
Item # 13026
05/04

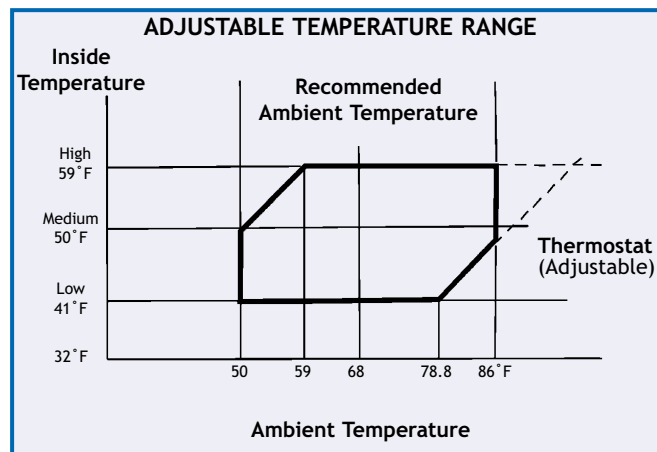
KD SERIES



KD-90C
Counter-Top Refrigerated
Glass Display Merchandiser

KD-90C
Air-Cooled

- Appealing, sanitary design
- Eye-catching point of sale merchandiser
- Sliding glass doors are easily removed to clean unit
- Compact rotary compressor provides quiet operation
- Brilliant non-glare fluorescent fixture highlights food
- Removable, cleanable air filter for more efficient operation and dependable performance
- Space saver construction with heavy duty plate glass on four sides
- Two adjustable glass shelves for flexibility and maximum space utilization



Reliability is a
beautiful thing™

© HOSHIZAKI AMERICA, INC.

618 Hwy. 74 S., Peachtree City, GA 30269 1-800-438-6087 TEL 770-487-2331 FAX 1-800-345-1325 www.hoshizaki.com

COUNTER TOP REFRIGERATED GLASS DISPLAY MERCHANDISER

COUNTER TOP REFRIGERATED GLASS DISPLAY MERCHANDISER

KD-90C (AIR-COOLED)

- Eye catching point of sales display
- Quiet counter-top operation

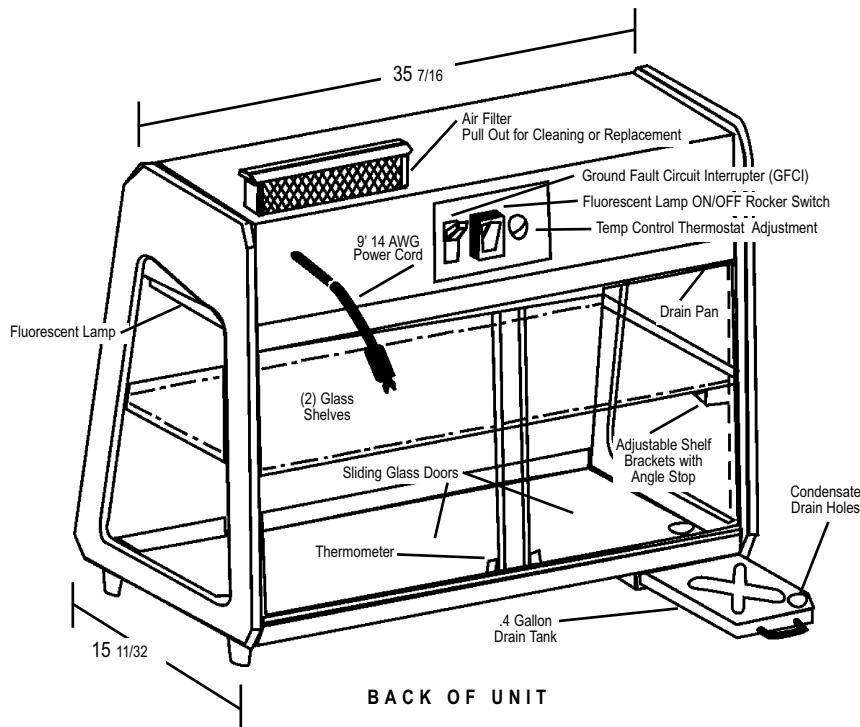
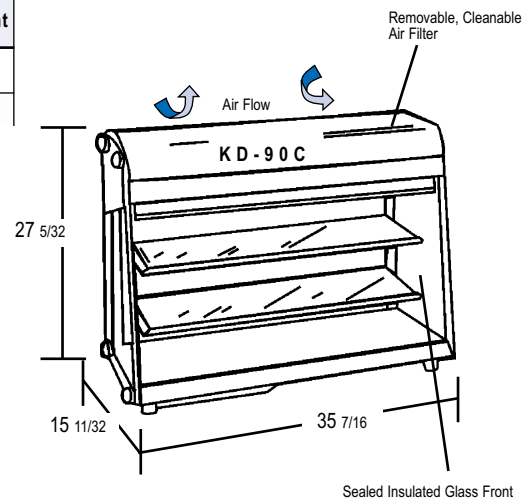


WARRANTY ONE YEAR - Parts and labor on entire machine	R-134A REFRIGERANT	SERVICE Removable/cleanable air filters.
	FOR DISPLAY ONLY Not intended for use as a service cabinet	

Warranty valid in United States, Canada, Puerto Rico, & U.S. Territories. Contact Factory for Warranty in other Countries.

OPERATING LIMITS Ambient Temp Range 50 - 86°F Voltage Range 104 - 126V Adjustable Temp Range 40 - 60°F	ELECTRICAL 115/60/1
--	-------------------------------

SPECIFICATIONS				
Model Number	Condenser	Storage Cubic Feet	Shelf Space Square Feet	Shipping Weight
KD-90C	Air-Cooled	4.2	6.6	138 lbs.



Service cabinet, not for overnight storage

We reserve the right to change specifications without notice.