

# HOSHIZAKI

KM-250B\_F  
Item # 130031 04/04

**KM-250B\_F SERIES**





**KM-250BAF**  
Air-Cooled  
**KM-250BWF**  
Water-Cooled

**KM-250BAF** Cuber



**KM-250**

**ICEMAKER  
DIMENSION**  
Width x Depth x Height  
**KM-250B\_F**  
25 x 28 x 39"

- CycleSaver® design 
- EverCheck® alert system 
- Up to 236 lbs. of ice production per 24 hours
- Built in 100 lbs. ice storage
- Individual crescent cube
- Corrosion-resistant stainless and PVC exterior surfaces provide longer life
- Stainless steel evaporator
- Removable air filter (Air-cooled model only)



Reliability is a beautiful thing™

© HOSHIZAKI AMERICA, INC.

618 Hwy. 74 S., Peachtree City, GA 30269 TEL 770-487-2331 1-800-438-6087 FAX 1-800-345-1325 www.hoshizaki.com

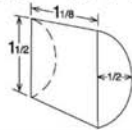


**CRESCENT CUBER WITH BUILT-IN STORAGE BIN**

CRESCENT CUBER WITH BUILT-IN STORAGE BIN



**KM-250BAF** (AIR-COOLED)  
**KM-250BWF** (WATER-COOLED)



- Up to 236 lbs. of ice production per 24 hours
- Built in 100 lbs. of ice storage

<b>WARRANTY</b> THREE YEAR - Parts & Labor on entire machine. FIVE YEAR - Parts & Labor on: Evaporator FIVE YEAR - Parts on: Compressor; Air-Cooled Condenser Coil.	<b>STAINLESS STEEL</b> <b>INTERNAL EVAPORATOR</b>	<b>SERVICE</b> Panels easily removed and all components accessible for service. Removable/cleanable air filters.
	<b>R-404 REFRIGERANT</b>	

Warranty valid in United States, Canada, Puerto Rico, & U.S. Territories. Contact Factory for Warranty in other Countries.

**STORAGE BINS**

Built-in 100 lbs. Storage Capacity

**OPERATING LIMITS**

Ambient Temp Range	45 - 100°F
Water Temp Range	45 - 90°F
Voltage Range	104 - 127V
Water Pressure	10 - 113 psig

**ELECTRICAL & PLUMBING**

AC Supply Voltage	115V/60/1
Water Inlet	1/2" OD copper or equivalent independent potable water supply
Drain	3/4" independent drain connection
Water Inlet	1/2" FPT Water Inlet

**AIR - COOLED**

Water Temp' F.		50°	70°	90°
Air Temp' F.	70°	236	223	197
	80°	226	207	176
	90°	223	193	163

**WATER - COOLED**

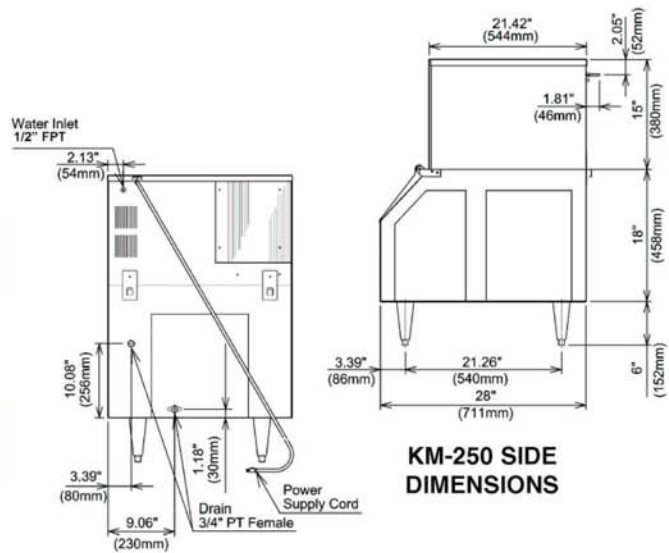
Water Temp' F.		50°	70°	90°
Air Temp' F.	70°	233	225	212
	80°	227	215	200
	90°	225	207	192

**UTILITY CONSUMPTION**

Model Number	Ice Production Per Cycle		KWH per 100 lbs.	Potable Water Gallons per 100 lbs.	Condenser Water Gallons per 100 lbs.
	Lbs.	Cubes			
KM-250BAF	3.7	200	12.2	28.7	NA
KM-250BWF	3.98	200	9.9	39.5	136

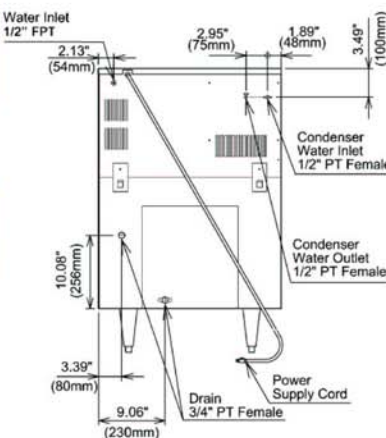
**SPECIFICATIONS**

Model Number	Condenser	Amperage	Shipping Weight
KM-250BAF	Air-Cooled	10.5	190 lbs.
KM-250BWF	Water-Cooled	7.5	190 lbs.

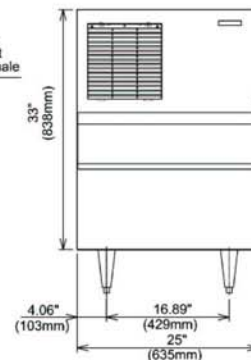


**KM-250BAF**

**KM-250 SIDE DIMENSIONS**



**KM-250BWF**



**KM-250 FRONT DIMENSIONS**



Rated in accordance with ARI Standard 810-95

We reserve the right to change specifications without notice.

© HOSHIZAKI AMERICA, INC.

Printed in U.S.A.

618 Hwy. 74 S., Peachtree City, GA 30269

TEL 770-487-2331

1-800-438-6087

FAX 1-800-345-1325

www.hoshizaki.com