



# Series 2000 Reach-In Refrigerators

ITEM # QTY.

PROJECT

DATE

## Single Door Reach-In Refrigerator



Model 2010

Randell Series 2000 Reach-Ins are built for years of efficient, high performance service. The top mounted, expansion valve refrigeration system offers the highest, most consistent performance available while maximizing usable interior space.

### FINISHES:

- Standard Series Doors/Louwer:** Stainless steel.  
**Exterior Sides:** Anodized aluminum. **Interior:** Anodized aluminum
- E Series** Cabinet interior, exterior sides, fronts, and doors stainless steel.



## ■ Model 2010 - Solid Door ■ Model 2011 - Glass Door

### STANDARD FEATURES:

- Expansion Valve
- Thermostatic Control
- Top mounted Compressor & Evaporator Coil
- C.F.C. Free R-134a Refrigerant
- Efficient Hot Gas Condensate Evaporator
- Automatic Defrost
- 9' Cord & Plug
- Main Power Supply Switch
- Exterior Thermometer
- Self-Closing Cam Lift Hinges with 120° Open Feature (Lifetime Warranty)
- Automatic Interior Light
- 6" Casters - Factory Mounted (Front two Locking)
- Cylinder Door Locks
- Polyurethane Insulation
- Snap-In Magnetic Door Gaskets
- 3 Baked Epoxy Coated Wire Shelves With Stainless Steel Support Clips (Adjustable every 1")
- Fully Coved Interior Meeting N.S.F. Standard #7

### SPECIFICATIONS:

**CABINET EXTERIOR:** Cabinet body is constructed of all metal, inside & out. The top, bottom, & back are galvanized steel. Front and sides are available in finishes as listed above. Door and louver are stainless steel and are removable without tools. Unit on 6" casters, front two are locking.

**CABINET INTERIOR:** Interior of cabinet is fully coved to meet N.S.F. standard #7. The interior walls, ceiling and door liner are available in either stainless steel or anodized aluminum as listed above. Foamed in place, CFC free urethane insulation. Snap-in A.B.S. breaker strips.

**DOORS:** Stainless steel front with either anodized aluminum or stainless steel liner, mounted on heavy duty cam lift hinges with concealed automatic light switch, heavy duty chrome handle, cylinder door lock. Glass Doors to be insulated glass with bright extruded aluminum frames, switch for interior light mounted on exterior of glass door unit.

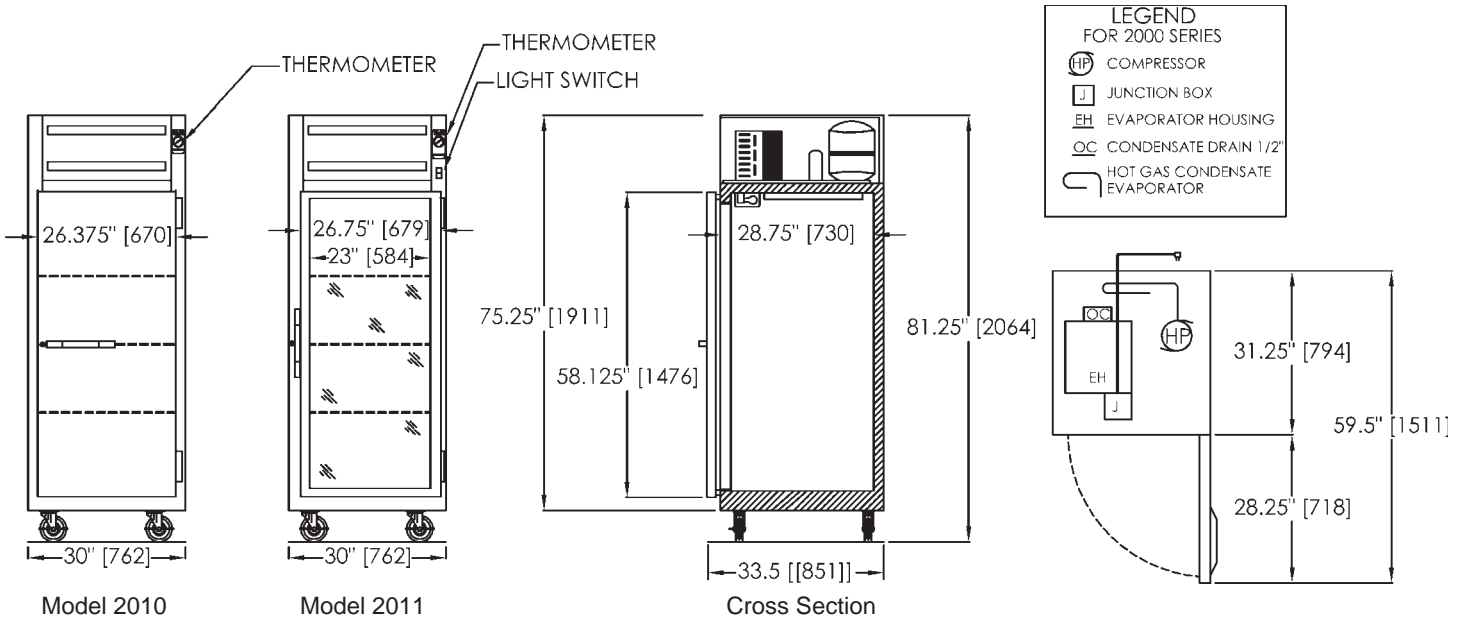
**REFRIGERATION:** Top mounted condensing unit and evaporator coil, expansion valve system with thermostatic control, factory tested and balanced to maintain 38° F. average interior temperature utilizing CFC free 134a refrigerant. Evaporator coil is coated to resist corrosion. Unit supplied with master on/off switch and 9' cord and plug. Access to service points without tools is standard.

## Randell Manufacturing, Inc.

520 S. Coldwater Rd. Weidman, MI 48893  
Phone 1-800-621-8560 Fax 1-800-634-5369 www.randell.com

For the most current specifications, visit our WebSite. [www.randell.com](http://www.randell.com)

Printed/Revised: May, 2002  
Rancraft Section 2, Page 1



### SELF-CONTAINED SINGLE SECTION REFRIGERATORS

Model No.		L	D	H	Doors	Cu./Ft.	Shelves	Shelves Sq. Ft.	H.P.	BTU/Hr.	Volt	Amp.	NEMA	Shipping Wt.
2010	solid door	30"	33 1/2"	81 1/4"	1	24	3	11.75	1/4	1740*	115/60/1	6.9	5-15P	395
2011	glass door	30"	33 1/2"	81 1/4"	1	24	3	11.75	1/4	1740*	115/60/1	6.9	5-15P	395

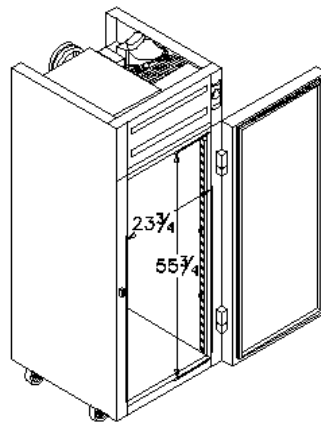
\* Based on 90° ambient and +20° evaporator.

### FOR REMOTE MODELS

Use same specifications as self-contained models except for:

Model No.		Rec. H.P.	Rec. BTU/Hr.	Amp.	Ship Wt.
2010R	solid door	1/4	1740	5	345
2011R	glass door	1/4	1740	5	345

Note: All remote reach-ins come standard on 6" legs in lieu of casters.



Door Opening Dimensions



Our Product Line Is On



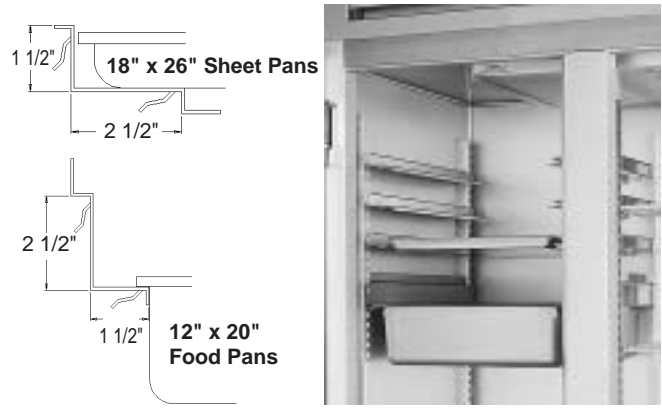
AutoCAD™ R12-2000  
AutoCAD™ Lt

### TRAYSLIDE CAPACITIES

**Universal Pan Slides .... Model....UNIVPS** - set of two.  
For 12 x 20 food pans or 18 x 26 sheet pans.

Maximum capacity of 12" x 20" food pans per full height section:  
(6) 6" deep pans, (8) 4" deep pans, (18) 2" deep pans.

Maximum capacity of 18" x 26" sheet pans with 2" spacing is (22).



### OPTIONS

- Universal Tray Slides (set of two)      Qty. \_\_\_\_\_ Sets
- 1/2 Doors     Solid     Glass    Qty. \_\_\_\_\_ Location \_\_\_\_\_
- 6" Legs
- Remote (Add Suffix "R")
- Extra Interior Shelves    Qty. \_\_\_\_\_  
(maximum of (23) or (20) additional on 1.5" centers-leaves 1" clear)
- Finished Back
- Export Voltage(s)    Specify Voltage
- Prison Package



# Series 2000 Reach-In Refrigerators

ITEM # QTY.

PROJECT

DATE

## Two Door Reach-In Refrigerator



Model 2020

Randell Series 2000 Reach-Ins are built for years of efficient, high performance service. The top mounted, expansion valve refrigeration system offers the highest, most consistent performance available while maximizing usable interior space.

### FINISHES:

- Standard Series Doors/Louver:** Stainless steel.  
**Exterior Sides:** Anodized aluminum. **Interior:** Anodized aluminum
- E Series** Cabinet interior, exterior sides, fronts, and doors stainless steel.



## ■ Model 2020 - Solid Door    ■ Model 2021 - Glass Door

### STANDARD FEATURES:

- Expansion Valve
- Thermostatic Control
- Top mounted Compressor & Evaporator Coil
- C.F.C. Free R-134a Refrigerant
- Efficient Hot Gas Condensate Evaporator
- Automatic Defrost
- 9' Cord & Plug
- Main Power Supply Switch
- Exterior Thermometer
- Self-Closing Cam Lift Hinges with 120° Open Feature (Lifetime Warranty)
- Automatic Interior Light
- 6" Casters - Factory Mounted (Front two Locking)
- Cylinder Door Locks
- Fully Coved Interior Meeting N.S.F. Standard #7
- Polyurethane Insulation
- 3 Baked Epoxy Coated Wire Shelves Per Section With Stainless Steel Support Clips (Adjustable every 1")
- Snap-In Magnetic Door Gaskets

### SPECIFICATIONS:

**CABINET EXTERIOR:** Cabinet body is constructed of all metal, inside & out. The top, bottom, & back are galvanized steel. Front and sides are available in finishes as listed above. Doors and louver are stainless steel and are removable without tools. Unit on 6" casters, front two are locking.

**CABINET INTERIOR:** Interior of cabinet is fully coved to meet N.S.F. standard #7. The interior walls, ceiling and door liner are available in either stainless steel or anodized aluminum as listed above. Foamed in place, CFC free urethane insulation. Snap-in A.B.S. breaker strips.

**DOORS:** Stainless steel front with either anodized aluminum or stainless steel liner, mounted on heavy duty cam lift hinges with concealed automatic light switch, heavy duty chrome handle, cylinder door lock. Glass Doors to be insulated glass with bright extruded aluminum frames, switch for interior light mounted on exterior of glass door unit.

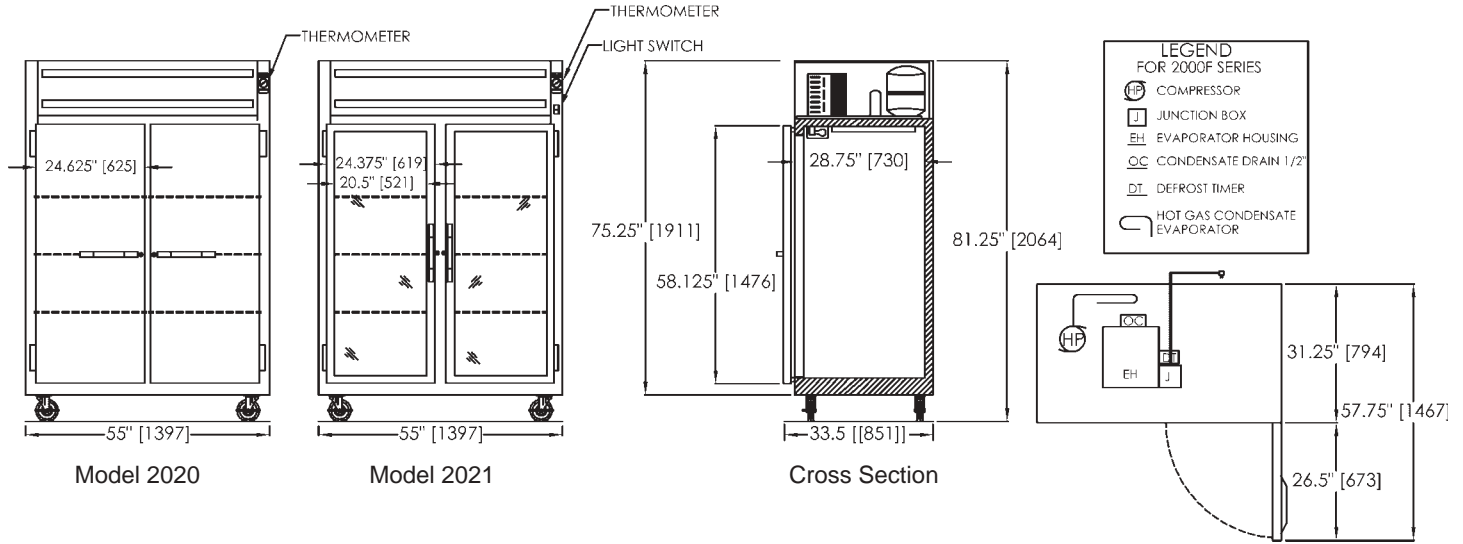
**REFRIGERATION:** Top mounted condensing unit and evaporator coil, expansion valve system with thermostatic control, factory tested and balanced to maintain 38° F. average interior temperature utilizing CFC free 134a refrigerant. Evaporator coil is coated to resist corrosion. Unit supplied with master on/off switch and 9' cord and plug. Access to service points without tools is standard.

**Randell Manufacturing, Inc.**

520 S. Coldwater Rd. Weidman, MI 48893  
Phone 1-800-621-8560 Fax 1-800-634-5369 [www.randell.com](http://www.randell.com)

For the most current specifications, visit our WebSite. [www.randell.com](http://www.randell.com)

Printed/Revised: May, 2002  
Rancraft Section 2, Page 3



### SELF-CONTAINED TWO SECTION REFRIGERATORS

Model No.		L	D	H	Doors	Cu./Ft.	Shelves	Shelves Sq. Ft.	H.P.	BTU/Hr.	Volt	Amp.	NEMA	Shipping Wt.
2020	solid door	55"	33 1/2"	81 1/4"	2	47	6	26	1/3	2300*	115/60/1	8.6	5-15P	595
2021	glass door	55"	33 1/2"	81 1/4"	2	47	6	26	1/3	2300*	115/60/1	8.6	5-15P	595

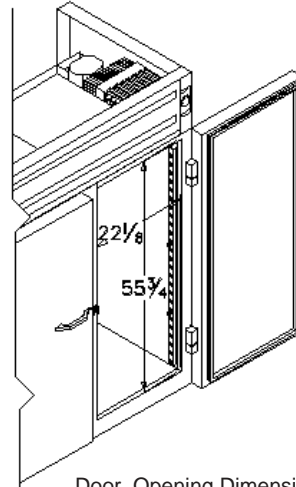
\* Based on 90° ambient and +20° evaporator.

### FOR REMOTE MODELS

Use same specifications as self-contained models except for:

Model No.		Rec. H.P.	Rec. BTU/Hr.	Amp.	Ship Wt.
2020R	solid door	1/3	2300	5	545
2021R	glass door	1/3	2300	5	545

Note: All remote reach-ins come standard on 6" legs in lieu of casters.



Door Opening Dimensions



Our Product Line Is On



AutoCAD™ R12-2000  
AutoCAD™ Lt

### TRAYSLIDE CAPACITIES

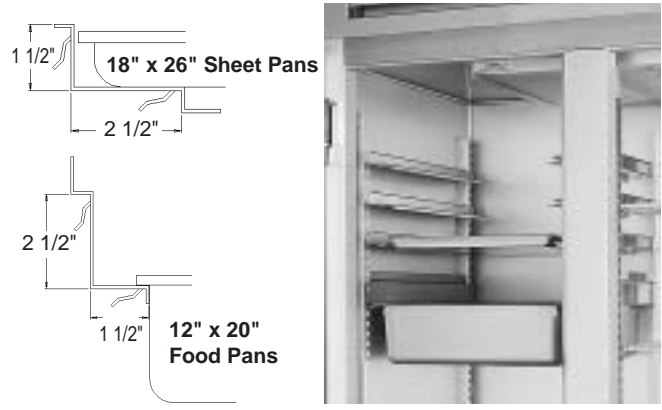
**Universal Pan Slides .... Model....UNIVPS** - set of two.

For 12 x 20 food pans or 18 x 26 sheet pans.

Maximum capacity of 12" x 20" food pans per full height section:

(6) 6" deep pans, (8) 4" deep pans, (18) 2" deep pans.

Maximum capacity of 18" x 26" sheet pans with 2" spacing is (22).



### OPTIONS

- Universal Tray Slides (set of two) Qty. \_\_\_\_\_ Sets
- 1/2 Doors  Solid  Glass Qty. \_\_\_\_\_ Location \_\_\_\_\_
- 6" Legs
- Remote (Add Suffix "R")
- Extra Interior Shelves Qty. \_\_\_\_\_  
(maximum of (23) or (20) additional on 1.5" centers-leaves 1" clear)
- Finished Back \_\_\_\_\_
- Export Voltage(s) Specify Voltage \_\_\_\_\_
- Prison Package