

Toastmaster®

Foodservice Equipment

Job: _____ Item No.: _____

Conveyor Toaster Model TC21A3



Application

TC21A3 Conveyor Toasters are designed to uniformly toast breads, buns, bagels, English muffins and many other bakery products in large quantities using continuous feed methods.

General Information

The toaster is shipped as a front-return model, but can easily be converted to rear-exit operation by following the supplied instructions.

The feed tray is angled to feed the product into the toaster continuously, and can be attached without tools.

A fiberglass return tray is supplied with the toaster. An optional stainless steel exit tray is available for toasters that have been converted to rear-exit operation.

Toaster dimensions are:

- 14-5/8" (371mm) width
- 16-5/8"/422mm height (includes 4"/102mm NSF-listed legs)
- 30-1/8"/765mm length (includes 3-1/2"/89mm cord clearance)
- 34-1/4"/870mm length in rear-exit configuration with optional exit tray



Safety

Unique air flow design keeps case, top, and sides cool. The unit is equipped with an auto cool down feature which allows the fan to cool the outer skin when the unit is turned off.

Construction

Steel construction with a stainless steel finish is used for durability. A stainless steel full-length slide-out crumb tray makes clean-up easy. A fiberglass return tray is included.

Electrical

Toaster models are voltage-specific for either 208V or 240V, 1-phase only. The total rated input is 2.9 kW. A factory-installed 44"/1.1m cord is included.

Heating

When control is set to "ON," top and bottom tubular heating elements will turn on to toast both sides of bread. Lightness and darkness of the product is achieved by adjusting the top and bottom heat controls. Standby position allows for energy savings during non-peak periods.

Controls

Rotary 3-position dial selects ON/OFF/STANDBY positions. A conveyor speed dial controls the belt speed. Heat dials control the upper and lower heating elements.

Capacity

- 400+ bread slices per hour of medium toast for 208V and 240V models
- Preheat time is 15 minutes

Approximate Weight

57 lbs. (25.9 Kg) installed, 63 lbs. (28.6 Kg) shipping.

Warranty

Two year parts-and-labor Toastmaster On-Site Warranty (USA only).

Ordering Information

- TC21A3 - 208V, 1 Ph, 60 Hz
- TC21A3 - 240V, 1 Ph, 60 Hz

Options

- Stainless steel exit tray for rear-exit toasters, P/N 45783



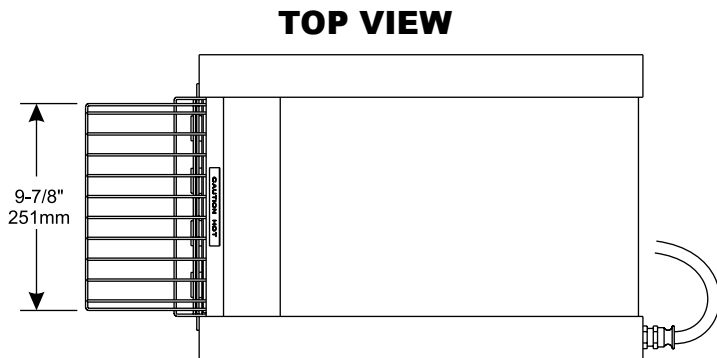
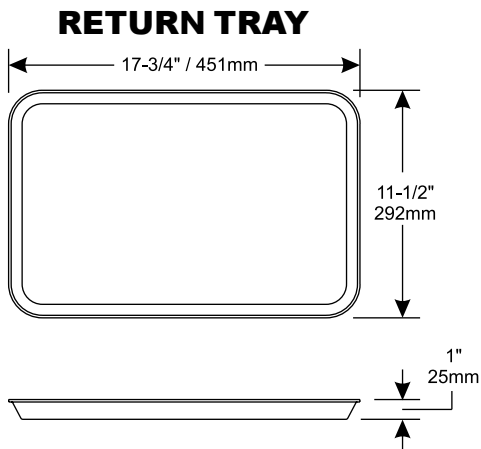
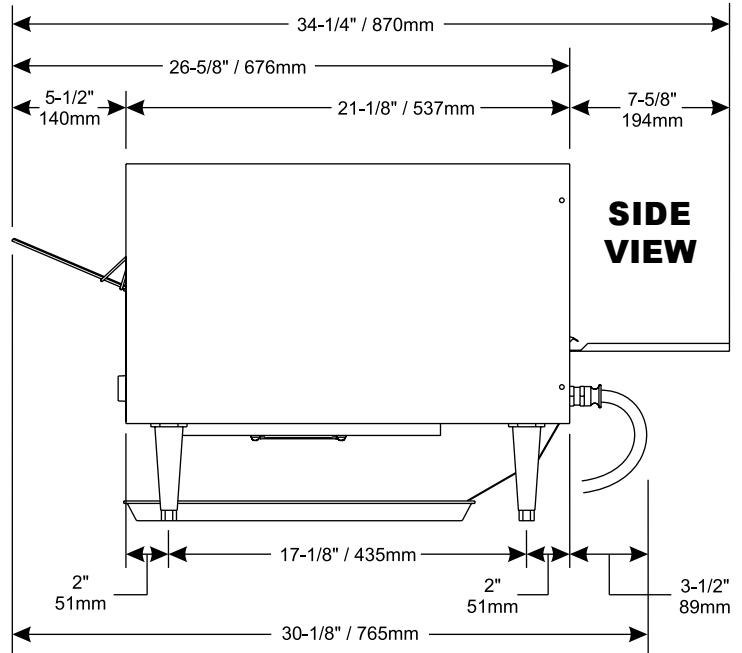
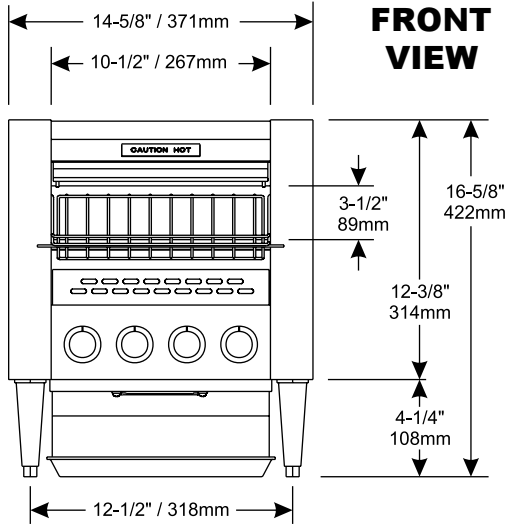
Toastmaster®

A MIDDLEBY COMPANY

1400 Toastmaster Drive
Elgin, Illinois 60120 USA
(847) 741-3300 Fax: (847) 741-0015
www.middleby.com



TC21A3 Conveyor Toaster



GENERAL INFORMATION

Width	Height	Length (includes cord clearance)	Length, with optional rear-exit stainless tray	Weight	Shipping Weight
14-5/8"/371mm	16-5/8"/422mm	30-1/8"/765mm	34-1/4"/870mm	57 lbs./25.9 Kg	63 lbs./28.6 Kg

ELECTRICAL SPECIFICATIONS

Voltage	Phase	Freq.	Rated Heat Input	Current Draw	Plug Type
208V	1	60 Hz	2.9 kW	13.9A	NEMA 6-20P
240V	1	60 Hz	2.9 kW	12.1A	NEMA 6-20P

INTENDED FOR COMMERCIAL USE ONLY. NOT FOR HOUSEHOLD USE.
ALL SPECIFICATIONS SUBJECT TO CHANGE WITHOUT NOTICE.



Toastermaster, in accord with its policy to continually improve its products, reserves the right to change materials or specifications without notice. Such revisions do not entitle the buyer to corresponding changes, improvements, additions, or replacements for previously purchased equipment.



1400 Toastermaster Drive, Elgin, IL 60120-9272, USA • (847) 741-3300 • Fax: (847) 741-0015

www.middleby.com