



Electronic Pop-Up Toasters Models TP209 and TP224



TP209/TP224

Heating

Insulated ceramic etched foil heaters are installed on both sides of each toasting chamber.

Controls

The two-slot section is controlled by a lever operated mechanism, it is equipped with a color selector knob coupled with solid state controls having temperature and voltage compensators. When operating lever is depressed, bread racks are lowered, and elements are energized simultaneously. At the end of the toasting cycle, elements are de-energized, and bread racks are automatically raised by a coil spring.

Capacity

The TP209/TP224 toaster will toast two slices of bread per load; and up to 150 slices per hour.

No Quibble Warranty

Warranted for one year covering parts and labor.

Approximate Weights

9.3 lbs. installed, 12.3 lbs. shipping.

Ordering Information

TP209/TP224 two slot bread toaster

- TP209 - 120V, 1-Phase, 50/60 Hz.
- TP224 - 208/240V, 1-Phase, 50/60 Hz.

Application

Commercial electronic pop-up food toasters are designed to uniformly toast bread, frozen waffles and many other foods consistently.

General Information

Commercial two slot pop-up type bread toaster has two toasting slots in the top. Each slot is 1 1/8" (28.575mm)W x 5 1/4" (133mm)L. Each toasting chamber is equipped with oven, guide wires, and lowering rack. Overall dimensions are 6 5/8" (171mm)W x 13" (330mm)D x 9 3/16" (233mm)H.

Model TP2 Series Toasters Feature:

- Solid state timer-control
- Electrical heating elements that provide uniform heat and even toasting
- Operating lever and color selection knob.
- Removable crumb tray

Construction

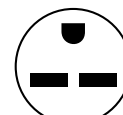
Construction is of formed and welded sheet steel. Finish is brushed stainless steel with a bright anneal (mirrored) finish on the front panel. A front pullout crumb tray is provided for easy cleaning.

Electrical

Total rated input for the 120V Model TP209 is 1.1 kW. Total rated input for the 208/240V Model TP224 is 1.0 kW at 208V or 1.3 kW at 240V. All TP209 & TP224 models are single phase. Toasters are equipped with a two pole switch that energizes the elements when the operating lever is depressed. TP209 and TP224 toasters are furnished with factory installed 36" cord with NEMA Standard 5-15P plug or NEMA Standard 6-15P plug respectively.



NEMA 5-15P



NEMA 6-15P



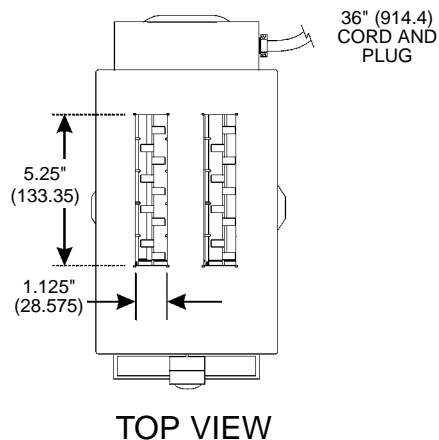
A MIDDLEBY COMPANY

1400 Toastermaster Drive
Elgin, Illinois 60120 USA
1-800-323-2210 • Fax: 1-800-635-4725
www.middleby.com

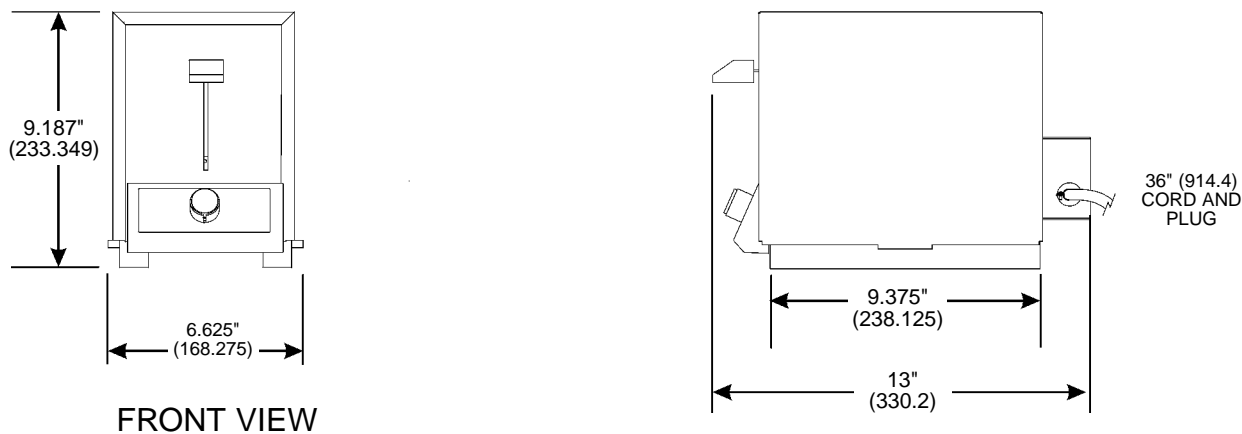
Solid State Slot Toaster

Model TP209/TP224

NOTE: All Figures In Parentheses Are In Millimeters



SIDE VIEW



GENERAL INFORMATION

Model	Width	Height	Depth	Net Weight	Ship Weight
TP209/TP224	6 $\frac{5}{8}$ " (171)	9 $\frac{9}{16}$ " (233)	13" (559)	9.3 lbs. 4.2 kg	12.3 lbs 5.6 kg

ELECTRICAL INFORMATION

Model#	Voltage	Phase	Hz	kW	Amps	Plug Type
TP209	120	1	50/60	1.1	9.2	NEMA 5-15P
TP224	208/240	1	50/60	1.0/1.3	4.8/5.4	NEMA 6-15P

INTENDED FOR COMMERCIAL USE ONLY. NOT FOR HOUSEHOLD USE.

Toastmaster, in line with its policy to continually improve its products, reserves the right to change materials or specifications without notice. Such revisions do not entitle the buyer to corresponding changes, improvements, additions, or replacements for previously purchased equipment.

Toastmaster®

THE MIDDLEBY CORPORATION
THE BRAND BEHIND THE BRANDS

1400 Toastmaster Drive, Elgin, IL 60120-9272 USA • 1-800-323-2210 • Fax: 1-800-635-4725

www.middleby.com