

Toastmaster®

Foodservice Equipment

Job _____ Item# _____

Electronic Pop-Up Toasters Models TP409, TP424, and TP430



TP409, TP424, TP430

Application

Commercial electronic pop-up food toasters are designed to uniformly toast bread, frozen waffles and many other foods consistently.

General Information

Models TP409, TP424 and TP430 have four toasting slots in the top. Each slot is 1½" (28.575mm)W x 5¼" (133mm)L. Each toasting chamber is equipped with oven, guide wires and lowering rack. Overall dimensions are 11¾" (291mm)W x 13" (330mm)D and 9¾" (233mm)H.

Construction

Construction is of formed and welded sheet steel. Finish is brushed stainless steel with a bright anneal (mirrored) finish on the front panel. A full-width, front pull-out crumb-tray is provided.

Electrical

The 120V Model TP409 has a total rated input of 2.2 kW, the 208/240V Model TP424 has a total rated input of 2.6 kW at 240V and 2.0 kW at 208V, and the 208V Model TP430 (Canada only) has a total rated input of 2.6 kW. The toasters are equipped with a two-pole microswitch for each pair of slots that energizes the elements when the respective operating lever is depressed. All wiring connects in a junction box at the rear. All electronic toasters are furnished with factory installed 36" cord and plug, and operate on alternating current, 1- phase only.

Heating

Insulated ceramic etched foil heaters are installed on both sides of each toasting chamber.

Controls

Each two slot section is separately controlled by a lever-operated mechanism. It is equipped with a color selector knob coupled with solid state controls having temperature and voltage compensators. When operating lever is depressed, bread racks are lowered and elements are energized simultaneously. At the end of the toasting cycle, elements are de-energized and bread racks are automatically raised by a coil spring.

Capacity

The TP409 toasts 300 slices per hour. The TP424 toasts 380 slices per hour at 240V, and 300 slices per hour on 208V. The TP430 toasts 380 slices per hour.

No Quibble Warranty

Warranted for one year covering parts and labor.

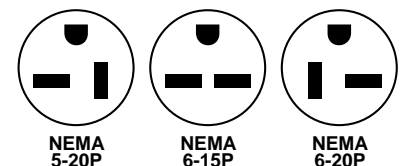
Approximate Weights

18 lbs. (8.2kg) installed, 21 (9.5kg) lbs. shipping.

Ordering Information

TP409, TP424, and TP430 four-slot toaster.

- TP409 - 120 Volt, 1 Phase, 50/60Hz, NEMA 5-20P Plug 5-20R Receptacle and SS Cover Plate provided with TP409.
- TP424 - 208/240 Volt, 1 Phase, 50/60Hz, NEMA 6-15P Plug
- TP430 (Canada only) 208 Volt, 1 Phase, 50/60Hz, NEMA 6-20P Plug



NEMA
5-20P

NEMA
6-15P

NEMA
6-20P



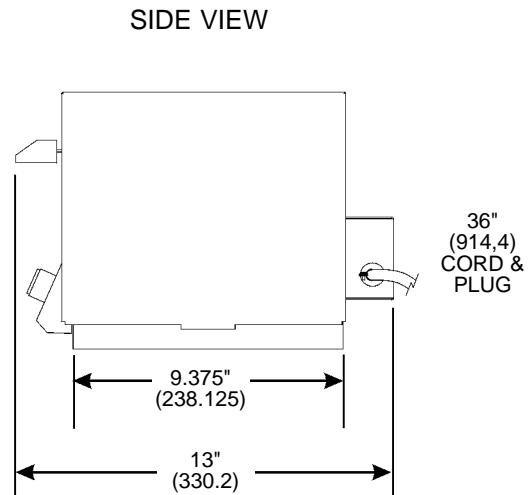
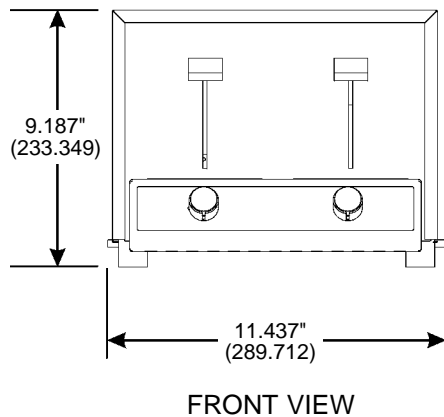
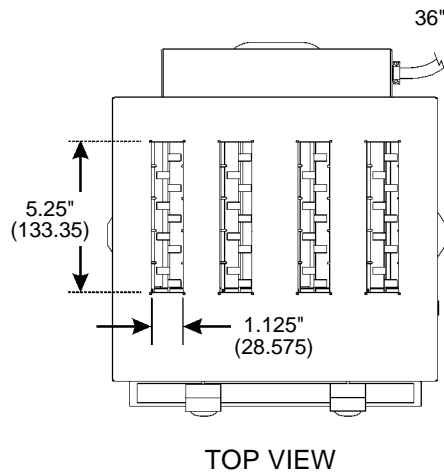
A MIDDLEBY COMPANY

1400 Toastmaster Drive
Elgin, Illinois 60120 USA
1-800-323-2210 • Fax: 1-800-635-4725
www.middleby.com

Electronic Food Toasters

Models TP409, TP424, and TP430

NOTE: All Figures In Parentheses Are In Millimeters



GENERAL INFORMATION

| Model | Width | Height | Depth | Net Weight | Ship Weight |
|-------------------|---------------------------|--------------------------|-----------|-------------------|------------------|
| TP409/TP424/TP430 | 11 $\frac{1}{16}$ " (291) | 9 $\frac{9}{16}$ " (233) | 13" (330) | 18 lbs. 8.2 kg | 21 lbs 9.5 kg |

ELECTRICAL INFORMATION

| Model# | Voltage | Phase | Hz | kW | Amps | Plug Type |
|-------------------|---------|-------|-------|---------|----------|---|
| TP409 | 120 | 1 | 50/60 | 2.2 | 18.3 | NEMA 5-20P (USA) NEMA 5-30P (CANADA) |
| TP424 | 208/240 | 1 | 50/60 | 2.0/2.6 | 9.6/10.8 | NEMA 6-15P |
| TP430 (Canada) | 208 | 1 | 50/60 | 2.6 | 12.5 | NEMA 6-20P |

INTENDED FOR COMMERCIAL USE ONLY. NOT FOR HOUSEHOLD USE.

Toastmaster, in line with its policy to continually improve its products, reserves the right to change materials or specifications without notice. Such revisions do not entitle the buyer to corresponding changes, improvements, additions, or replacements for previously purchased equipment.



1400 Toastmaster Drive, Elgin, IL 60120-9272 USA • 1-800-323-2210 • Fax: 1-800-635-4725

www.middleby.com